

SGTM Series

Staircase Time Switch

Technical data

Standard	IEC 60730-1
Rated voltage	AC220-240V
Rated frequency	50/60Hz
Consumption	1VA-2.5VA
Contact capacity	16A 250V AC (COS ϕ =1)
Electrical endurance	10 ⁵ times
Mechanical endurance	10 ⁷ times
Ambient temperature	-20°C ~ +50°C
Operating temperature	-5 to +40°C, max.95% humidity
Storage temperature	-40...+75°C
Terminal size for cable(mm ²)	2,5
Connection terminal	Pillar terminal with clamp
Installation	On 35mm DIN rail Panel mounting



SGTM-16 time switch

Type: electromechanical type with time delay
 Time setting range: 20 minutes
 Min.setting interval: 0.5 minutes
 Toggle switch: manual/automatic
 Controlled lighting load:
 Incandescent lamp: 2300W
 Halogen lamp: 2300W
 Fluorescent lamp:
 Uncompensated 2300w
 Compensated in series: 2300w
 Compensated in parallel: 1300w
 Switching: reset after 30s



SGTM-16

SGTM-E8 time switch

Type: electronic time delay
 Time setting range: 7 minutes
 Min.setting interval: 0.5 minutes
 Slide switch: manual/automatic
 Controlled lighting load:
 Incandescent lamp: 2300W
 Halogen lamp: 2300W
 Fluorescent lamp load with electronic ballast: 1300W
 Switching: immediate reset

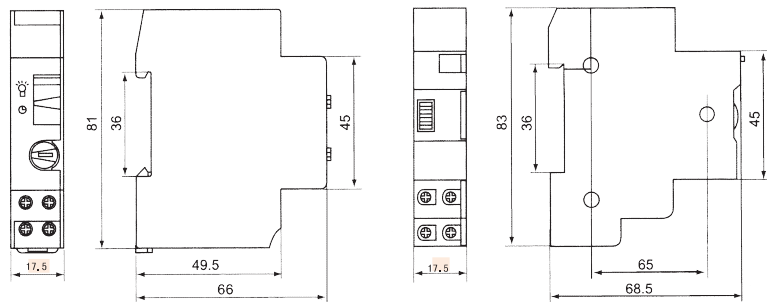


SGTM-E8

Construction and Feature

Suitable to control wide range lightings include incandescent lamp,
 halogen lamp and fluorescent lamp
 Simple time setting
 With time delay
 Extremely compact and modular size

Overall and Mounting Dimensions



SGTM-16

SGTM-E8

SGTM-160 Synchronous time switch

Drive: synchronous motor
Frequency: 50/60Hz
Without battery



SGTM-160

SGTM-180 Quartz time switch with power reserve

Drive: quartz-controlled motor
Frequency: 50/60Hz
Accuracy: within ± 1 s per day at 20°C
Reserve: 70 hours



SGTM-180

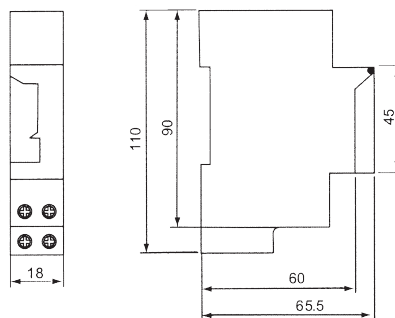
Technical Data

Rated voltage: 110/230V AC
Rated frequency: 50/60Hz
Consumption: 2.5VA
Contact: 1NO
Contact capacity:
16A/250V AC (COS $\phi = 1$)
4A/250V AC (COS $\phi = 0.6$)
Electrical endurance: 10^5 times
Mechanical endurance: 10^7 times
24 hours
96 segments
Min. programmable interval: 15minutes
Ambient temperature: -10°C~+50°C
Connection terminal: pillar terminal with clamp
Connection capacity: rigid conductor 6mm²
Installation:
On symmetrical DIN rail
Panel mounting

Construction and Feature

Available with or without power reserve
24 hour dial with 15 min segments
Permanent ON/OFF switch
Switching status indication

Overall and Mounting Dimensions





SGTM-161

SGT2-161 Synchronous time switch

Drive: synchronous motor
 Frequency: 50/60Hz

SGT2-181 Quartz time switch with power reserve

Drive: quartz-controlled motor
 Frequency: 50/60Hz
 Accuracy: within ± 1 s per day at 20°C
 Reserve: 150 hours



SGTM-181

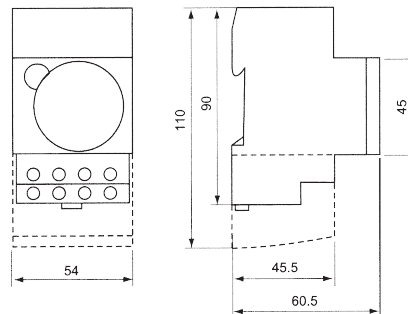
Construction and Feature

Available with or without power reserve
 24 hour dial with 30 min segments
 Permanent ON/OFF switch
 Switching status indication
 Operating indication

Technical Data

Rated voltage: 110/230V AC
 Rated frequency: 50/60Hz
 Consumption: 2.5VA
 Contact capacity: 16A/220V AC
 Electrical endurance: 10^5 times
 Mechanical endurance: 10^7 times
 24 hours program
 48 segments
 Min. programmable interval: 30minutes
 Operating temperature: -40°C~+55°C
 Connection terminal: pillar terminal with clamp
 Connection capacity: rigid conductor 6mm²
 Installation:
 On symmetrical DIN rail
 Panel mounting

Overall and Mounting Dimensions



SGTM-15 time switch



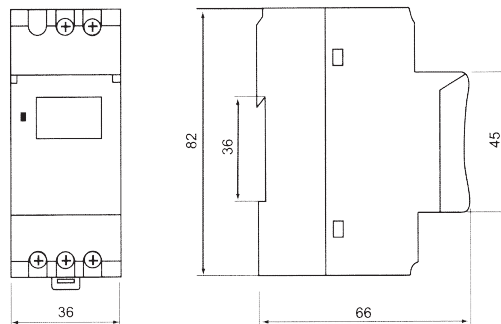
SGTM-15

Type: electronic with LCD display
 Rated voltage: 230V AC
 Rated frequency: 50/60Hz
 Contact: 1NO+1NC
 Consumption: maximum 4VA
 Contact capacity:
 16A/250V AC (COS ϕ =1)
 2.5A/250V AC (COS ϕ =0.6)
 Incandescent lamp: 1000W
 Electrical endurance: 10^5 times
 Mechanical endurance: 10^7 times
 Time basis: quartz
 24 hours + week program
 Working precision: ≤ 2 sec/day(25°C)
 Min.programmable interval: 1minute
 Power reserve:min. 15 days
 Ambient temperature: -10°C~+40°C
 Humidity: 35-85%RH
 Connection terminal: pillar terminal with clamp
 Connection capacity: rigid conductor 6mm²
 Installation:
 On symmetrical DIN rail
 Panel mounting

Construction and Feature

Compact modular size
 LCD Display
 Equipped with back-up battery
 Permanent switch ON/OFF

Overall and Mounting Dimensions



SGMS-6 modular sockets

Functions

Used in widely terminal distribution system
 Being complete series of terminal distribution system
 together with series SGB

Technical specifications

Standard: IEC60884-1
 Approval: CE
 Rated current (A): 16
 Modules: 2.5
 Rated voltage U_e (V): 230/400
 Conductor cross-sections
 Solid and stranded (mm^2): 0.75-25



SGMS-6

Selection and ordering data

Number of poles: 2P+E
 Rated current I_n (A): 16

Overall and Mounting Dimensions

