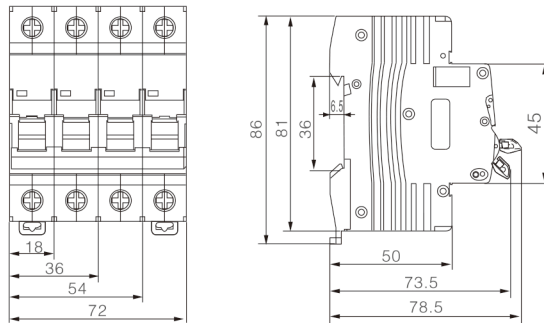




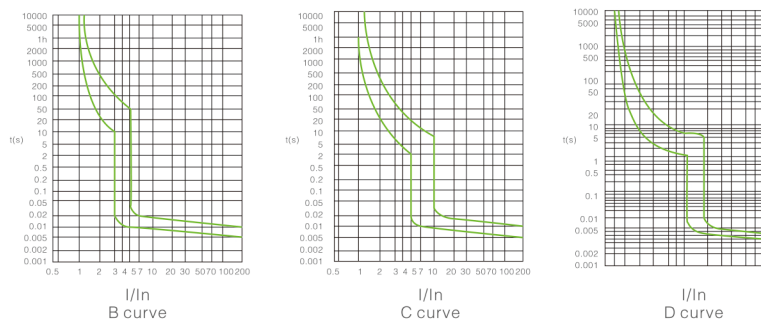
MM50N 6000A

- ◆ Screw terminal
- ◆ Pillar terminal with clamp
- ◆ Connection capacity: Rigid conductor up to 25mm²
- ◆ Fastening torque: 2.0Nm
- ◆ Installation:
- ◆ On symmetrical DIN rail 35mm
Panel mounting

Overall & Installation Dimensions



Characteristic Curve



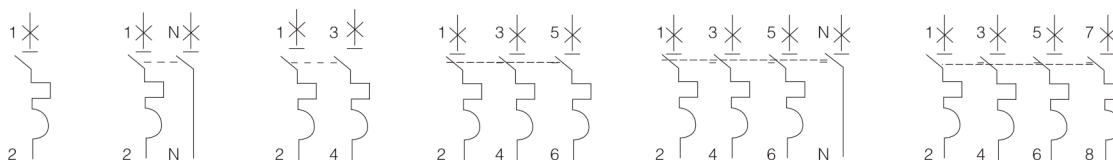
MM50H Mini Circuit Breaker 10000A/6000A



Power Consumption

Rated Current Range (InA)	Max consumption/pole (W)
$I_n \leq 10$	3
$10 < I_n \leq 16$	3.5
$16 < I_n \leq 25$	4.5
$25 < I_n \leq 32$	6
$32 < I_n \leq 40$	7.5
$40 < I_n \leq 50$	9
$50 < I_n \leq 63$	13

Wiring Diagram



Overload Current Protection Characteristics

Test Procedure	Type	Test Current	Initial State	Tripping or Non-tripping Time Limit	Expected Result	Remark
A	B,C,D	$1.13I_n$	Cold	$t \leq 1h$	no tripping	
B	B,C,D	$1.45I_n$	after test a	$t < 1h$	tripping	current in the 5s in the increase of stability
C	B,C,D	$2.55I_n$	Cold	$1 < st < 60s (I_n \leq 32A)$ $1 < st < 120s (I_n \leq 32A)$	tripping	
D	B	$3I_n$	Cold	$t \geq 0.1s$	no tripping	Turn on the auxiliary switch to close the current
	C	$5I_n$				
	D	$10I_n$				
E	B	$5I_n$	Cold	$t < 0.1s$	tripping	Turn on the auxiliary switch to close the current
	C	$10I_n$				
	D	$20I_n$				