

## EPC1 Series Modular Contactor

### Technical data

Standard	EN/IEC 60947-4-1,EN/IEC 61095
Maximum power	AC1 220/230VAC: 20A 4.5KW(EPC1-20) 25A 16KW(EPC1-25) AC-1/AC-7a 380/400VAC: 63A 40KW(EPC1-63) AC-3/AC-7b 380/400VAC: 25A 15KW(EPC1-63) 4KW(EPC1-25)
Main contacts terminal capacity	1.5-6mm <sup>2</sup> (EPC1-10/16/20/25A) 6-35mm <sup>2</sup> (EPC1-40/63A)
Coil contact A1,A2 terminal capacity	0.75-2.5mm <sup>2</sup>
Electric endurance	≥ 100,000
Mechanical endurance	≥ 5000,000
Protection degree	IP20
Terminal tightening torque(N m)	0.8-3.5
Ambient temperature(°C)	-5~+60, Max. 95%humidity
Storage temperature(°C)	-40~+75
Connection Capacity(mm <sup>2</sup> )	1-25



EPC1-2P(10A-25A)



EPC1-2P(32A-63A)



EPC1-4P(10A-25A)



EPC1 4P(32A-63A)

## EPC1 Modular Contactor



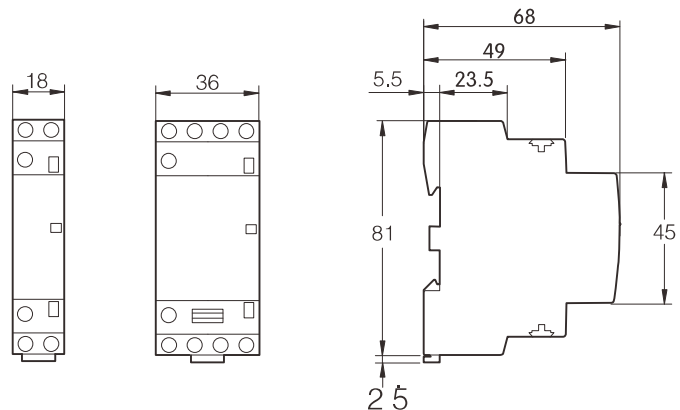
EPC1-2P(10A-25A)



EPC1-4P(10A-25A)

Code No.	Rated current In(A)		Contact position	Control voltage (Vac)	Rated control power in (KW)	
	AC-7a/AC-1	AC-7b/AC-1			AC-7a/230V	AC-7b/230V
EPC1-10-11C	10	4	1NO+1NC	240	2	0.75
EPC1-10-20C	10	4	2NO	240	2	0.75
EPC1-10-02C	10	4	2NC	240	2	0.75
EPC1-16-11C	16	5.5	1NO+1NC	240	3.2	1.0
EPC1-16-20C	16	5.5	2NO	240	3.2	1.0
EPC1-16-02C	16	5.5	2NC	240	3.2	1.0
EPC1-20-11C	20	7	1NO+1NC	240	4	1.2
EPC1-20-20C	20	7	2NO	240	4	1.2
EPC1-20-02C	20	7	2NC	240	4	1.2
EPC1-25-11C	25	8.5	1NO+1NC	240	5	1.4
EPC1-25-20C	25	8.5	2NO	240	5	1.4
EPC1-25-02C	25	8.5	2NC	240	5	1.4
EPC1-10-22	10	4	2NO+2NC	240	6.2	2.2
EPC1-10-31	10	4	3NO+1NC	240	6.2	2.2
EPC1-10-40	10	4	4NO	240	6.2	2.2
EPC1-10-04	10	4	4NC	240	6.2	2.2
EPC1-16-22	16	5.5	2NO+2NC	240	10	3
EPC1-16-31	16	5.5	3NO+1NC	240	10	3
EPC1-16-40	16	5.5	4NO	240	10	3
EPC1-16-04	16	5.5	4NC	240	10	3
EPC1-20-22	20	7	2NO+2NC	240	13	3.5
EPC1-20-31	20	7	3NO+1NC	240	13	3.5
EPC1-20-40	20	7	4NO	240	13	3.5
EPC1-20-04	20	7	4NC	240	13	3.5
EPC1-25-22	25	8.5	2NO+2NC	240	15	4
EPC1-25-31	25	8.5	3NO+1NC	240	15	4
EPC1-25-40	25	8.5	4NO	240	15	4
EPC1-25-04	25	8.5	4NC	240	15	4

### Overall and mounting dimensions



EPC1-10A-25A

## EPC1 Modular Contactor



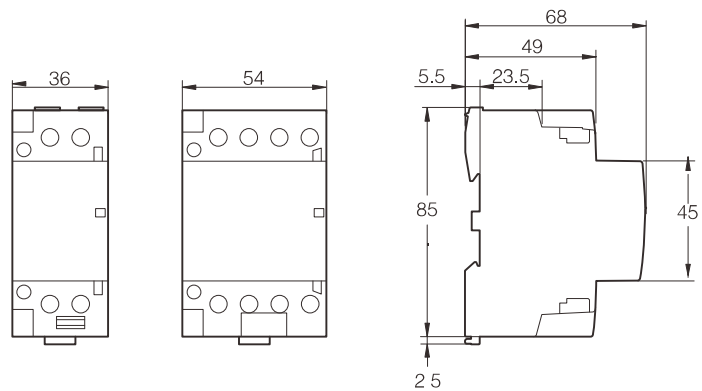
EPC1-2P(32A-63A)



EPC1 4P(32A-63A)

Code No.	Rated current In(A)		Contact position	Control voltage (Vac)	Rated control power in (KW)	
	AC-7a/AC-1	AC-7b/AC-1			AC-7a/400V	AC-7b/400V
EPC1-32-11	32	12	1NO+1NC	240	6.5	2
EPC1-32-20	32	12	2NO	240	6.5	2
EPC1-32-02	32	12	2NC	240	6.5	2
EPC1-40-11	40	15	1NO+1NC	240	8.5	2.5
EPC1-40-20	40	15	2NO	240	8.5	2.5
EPC1-40-02	40	15	2NC	240	8.5	2.5
EPC1-63-11	63	25	1NO+1NC	240	13	4
EPC1-63-20	63	25	2NO	240	13	4
EPC1-63-11	63	25	2NC	240	13	4
EPC1-32-22	32	12	2NO+2NC	240	21	6.5
EPC1-32-31	32	12	3NO+1NC	240	21	6.5
EPC1-32-40	32	12	4NO	240	21	6.5
EPC1-32-04	32	12	4NC	240	21	6.5
EPC1-40-22	40	15	2NO+2NC	240	26	7.5
EPC1-40-31	40	15	3NO+1NC	240	26	7.5
EPC1-40-40	40	15	4NO	240	26	7.5
EPC1-40-04	40	15	4NC	240	26	7.5
EPC1-63-22	63	25	2NO+2NC	240	40	13
EPC1-63-31	63	25	3NO+1NC	240	40	13
EPC1-63-40	63	25	4NO	240	40	13
EPC1-63-04	63	25	4NC	240	40	13

### Overall and mounting dimensions



EPC1-32A-63A