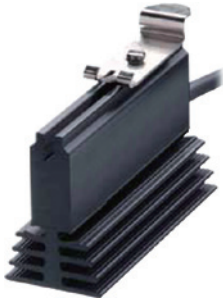


NTL 030 | 10W to 30W



- Dynamic heating up
- Energy saving
- Wide voltage range

The NTL 030 Mini series of radiant heaters consists of three versions with heating performance ratings of 10, 20 and 30 Watts.

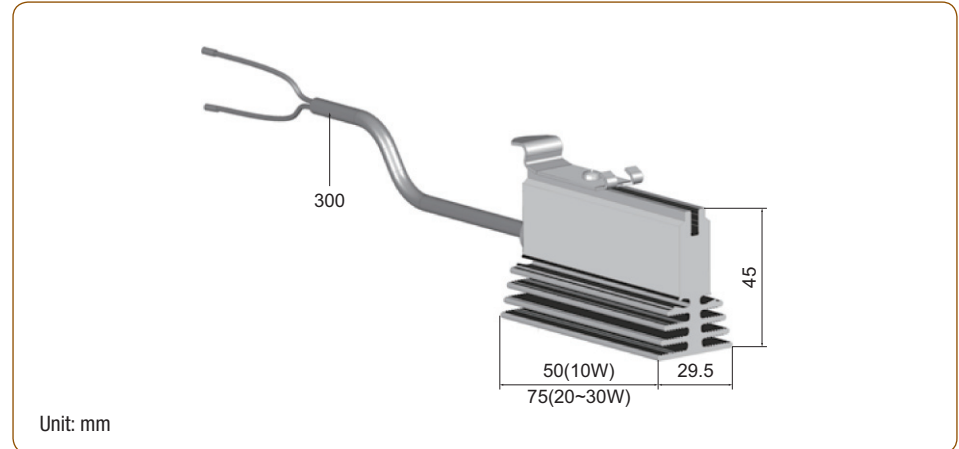
The new mini-heaters are particularly suitable for use in small housings or for the heating of isolated spots in sensitive areas.

Technical Data

CE RoHS ISO9001 Patent

NTL 030	
Rated voltage	120-260V AC/DC
Functional range	120-260 V AC/DC 50/60 Hz
Duty cycle	100%
Operating temperature range	- 40 °C ... + 70 °C (- 40 °F ... + 158 °F)
Storage temperature range	- 40 °C ... + 70 °C (- 40 °F ... + 158 °F)
Installation orientation	as desired, preferably vertical
Device construction	aluminium profile, black anodised
Type of mounting	snap fastening for 35 mm profile bars according to EN 60715
Protection class	II
Type of connection	connecting cable (300 mm)
Protection type/Protection class	IP 54

Dimensions



Art. No.	Power consumption	Starting current	Max. surface temperature	Weight (approx.)
860220	10 W	1.0 A	95 °C	85 g
860221	20 W	1.1 A	115 °C	120 g
860222	30 W	1.2 A	140 °C	120 g